

Upright Cabinets

T-49G-HC~FGD01

 Upright Foodservice Refrigeration, 2 Full Glass Swing Doors



Dimensions		Build		Technical	
External Width (mm)	1375	Door Description	2 Full Glass Swing Doors	Temperature Holding	0.5 : 3.3°C
External Depth (mm)	750	Exterior Construction	Stainless steel front, aluminium sides & rear	Refrigerant	R290
External Height (mm)	2074	Interior Construction	Clear coated aluminium, stainless steel base	Voltage / Frequency / Phase	220-240V/50-60Hz/1
Exclusions	Depth does not include 42 mm for door handle or 13 mm for rear access panel.	Air Intake Position	Front	Amps	2.2
Net Volume (Litres)	914	Ventilation Position	Rear	Wattage	506
Gross Volume (Litres)	1388	Clearance Required	26 mm rear, zero sides	Temperature Class	M1
Display Area (m ²)	1.38	Cord Length (Meters)	2.74	Operating Statement	Tested at 25°C, 60% RH, per 'Refrigerators with a Direct Sales Function' for perishable food merchandising.
Supplied Shelves	8	Internal Lighting	LED	Testing Standard	EN 23953
Shelf Size (L x D mm)	624 x 569	Standard w/ Locks	standard	EEC	B
Internal Net Height (mm)	1300			EEL	14.5
Unpackaged Weight (kg)	200			kWh/24hr	3.97
Packaged Weight (kg)	211			kWh/Annum	1450
Packaged Dimensions (W x D x H mm)	1486 x 902 x 2134			Defrost Type	Auto
Supplied Supports	ø 64 mm castors (83 mm height)				



WARRANTY 5 YEARS
PARTS, COMPRESSOR AND LABOUR

Specifications subject to change without notice.
Chart dimensions rounded up to the next whole millimeter (inches rounded up to the 1/8")

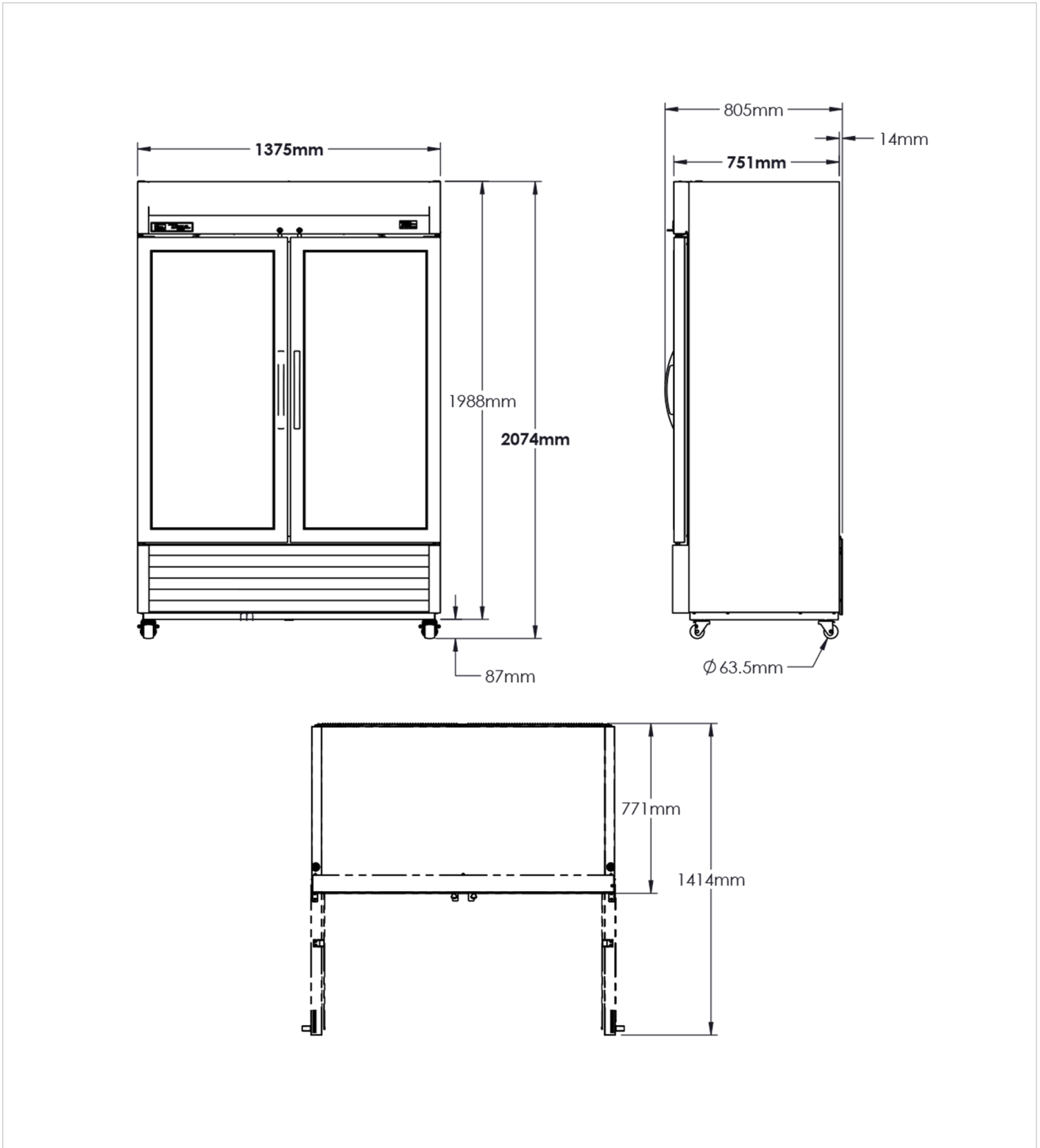
UK & Ireland [0800 783 2049](tel:08007832049)
 EMEA [+41 61 563 07 05](tel:+41615630705)
 Australia [+61 2 9619 9999](tel:+61296199999)

TFIUK@truemfg.com
TrueGermCustomerService@truemfg.com
TrueRefAus@truemfg.com



T-49G-HC~FGD01

🇬🇧 Upright Foodservice Refrigeration, 2 Full Glass Swing Doors



Specifications subject to change without notice.
Chart dimensions rounded up to the next whole millimeter (inches rounded up to the 1/8")

UK & Ireland [0800 783 2049](tel:08007832049)
EMEA [+41 61 563 07 05](tel:+41615630705)
Australia [+61 2 9619 9999](tel:+61296199999)

TFIUK@truemfg.com
TrueGermCustomerService@truemfg.com
TrueRefAus@truemfg.com

